

PAMS Technical Documentation

NSM-1 Series Transceivers

General Information

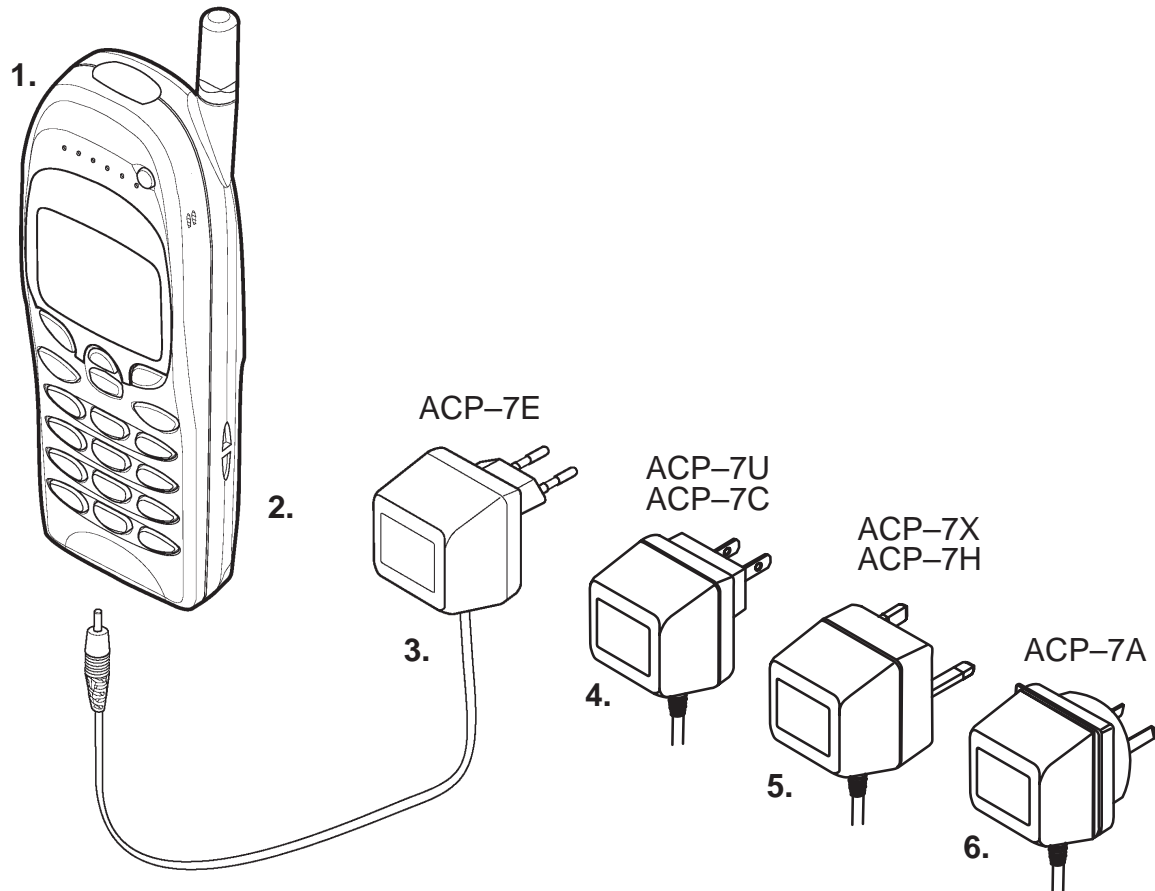
CONTENTS

Product Selection	2 – 3
Handportables	2 – 3
Desktop Option	2 – 4
Basic Car Kit (CARK-64) Options	2 – 5
Advanced Hands Free Car Installation (CARK-91) Options	2 – 6
Product and Module List	2 – 7
Technical Specifications	2 – 8
General Specifications of Transceiver NSM-1	2 – 8

Product Selection

Handportables

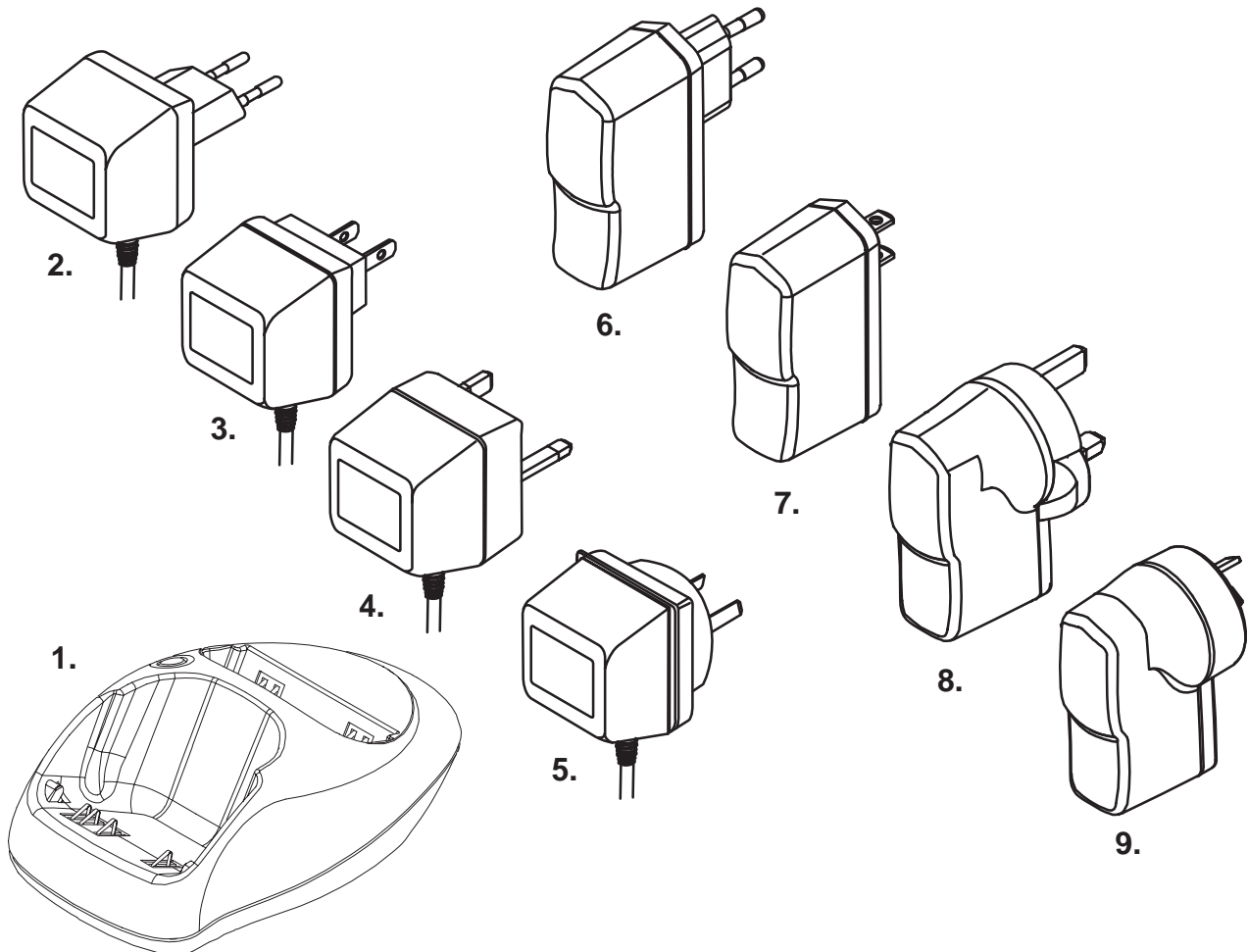
The NSM-1 is a handportable mobile telephone for the GSM 900 and GSM 1800 (PCN) network.



Item Name:	Type code:	Material code:
1. Transceiver	(See Transceiver section)	
2. Standard battery (NiMH 900 mAh)	BMS-2	0670203
3. AC Travel Charger (Euro plug) 207-253 Vac	ACP-7E	0675144
4. AC Travel Charger (US plug) 108-132 Vac	ACP-7U	0675143
AC Travel Charger (US plug) 198-242 Vac	ACP-7C	0675158
5. AC Travel Charger (UK plug) 207-253 Vac	ACP-7X	0675145
AC Travel Charger (UK plug) 180-220 Vac	ACP-7H	0675146
6. AC Travel Charger (Australia) 216-264 Vac	ACP-7A	0675148

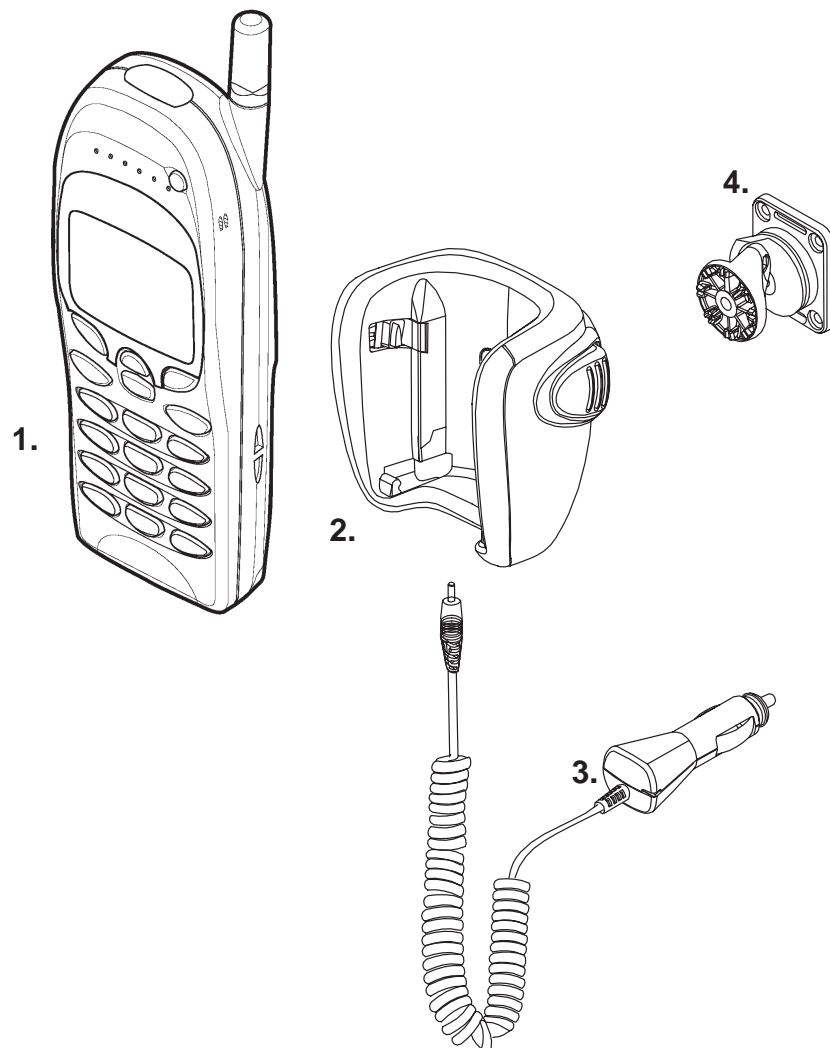
Desktop Option

The desktop option allows the user to charge the handportable and spare battery from mains.



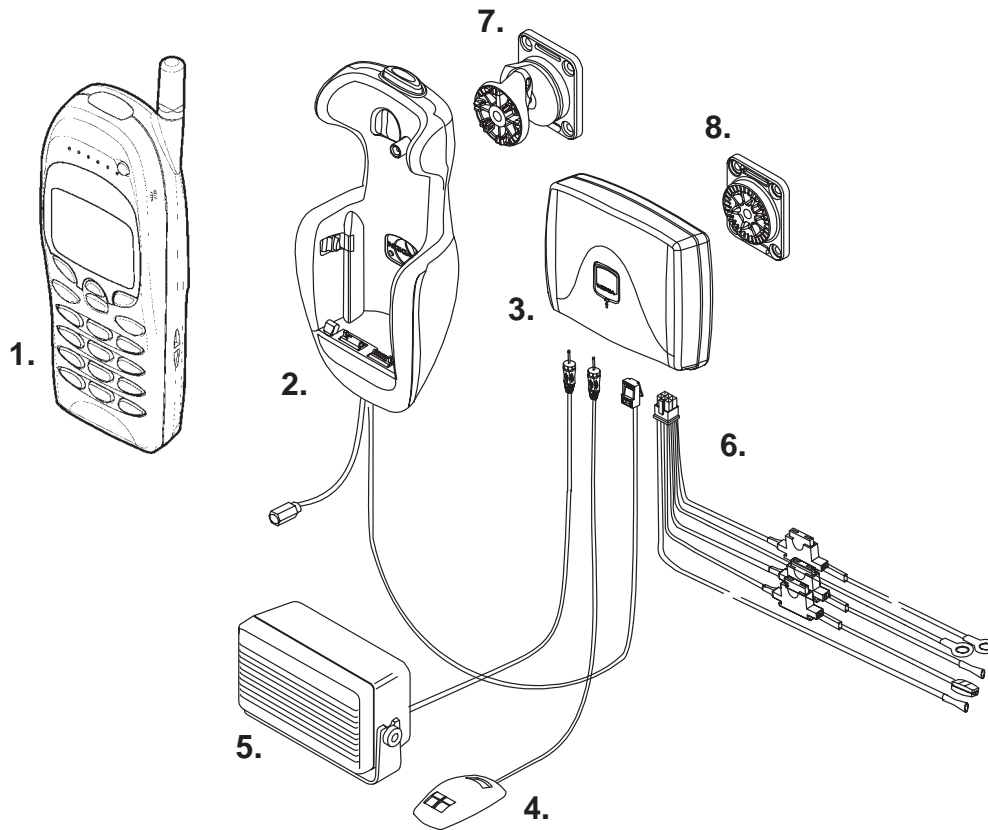
Item Name:	Type code:	Material code:
1. Desktop stand	DCH-9	0700049
2. AC Travel Charger (Euro plug) 207-253 Vac	ACP-7E	0675144
3. AC Travel Charger (US plug) 108-132 Vac	ACP-7U	0675143
AC Travel Charger (US plug) 198-242 Vac	ACP-7C	0675158
4. AC Travel Charger (UK plug) 207-253 Vac	ACP-7X	0675145
AC Travel Charger (UK plug) 180-220 Vac	ACP-7H	0675146
5. AC Travel Charger (Australia) 216-264 Vac	ACP-7A	0675148
6. Fast Travel Charger (Euro plug) 90-264 Vac	ACP-9E	0675149
7. Fast Travel Charger (US plug) 90-264 Vac	ACP-9U	0675151
8. Fast Travel Charger (UK plug) 90-264 Vac	ACP-9X	0675150
9. Fast Travel Charger (Australia) 90-264 Vac	ACP-9A	0675152

Basic Car Kit (CARK-64) Options



Item Name:	Type code:	Material code:
1. Transceiver	(See Transceiver section)	
2. Mobile Holder	MBC-1	0700060
3. Cigarette Lighter Charger	LCH-9	0657120
4. Swivel Mount	HHS-9	0620037

Advanced Hands Free Car Installation (CARK-91) Options



Item Name:	Type code:	Material code:
1. Transceiver	(See Transceiver section)	
2. Mobile Holder	MCC-1	0620043
3. Hands Free Unit	HFU-2	0694049
4. Hands Free Microphone	HFM-8	0690016
5. Hands Free Speaker	HFS-12	0692008
6. Power Cable	PCH-4J	0730055
7. Swivel Mount	HHS-9	0620037
8. Mounting Plate	MKU-1	0620036

Product and Module List

Unit/type:	Product code:
Transceiver NSM-1	See Transceiver section
Slim Battery BLS-2 900 mAh Li-ion	0670206
Standard Battery BMS-2S 900 mAh NiMH	0670225
Standard Battery BMS-2 900 mAh NiMH	0670203
Vibrator Battery BMS-2V 900 mAh NiMH	0670204
Extended Battery BLS-4 1500 mAh Li-ion	0670207
Extended Battery BLS-5 600 mAh Li-ion	0670224
AC Travel Charger ACP-7E (EUR) 207-253 Vac	0675144
AC Travel Charger ACP-7U (US) 108-132 Vac	0675143
AC Travel Charger ACP-7C (US) 198-242 Vac	0675158
AC Travel Charger ACP-7X (UK) 207-253 Vac	0675145
AC Travel Charger ACP-7H (UK) 180-220 Vac	0675146
AC Travel Charger ACP-7X (AUS) 216-264 Vac	0675148
Fast Travel Charger ACP-9E (EUR) 90-264 Vac	0675149
Fast Travel Charger ACP-9U (US) 90-264 Vac	0675151
Fast Travel Charger ACP-9X (UK) 90-264 Vac	0675150
Fast Travel Charger ACP-9A (AUS) 90-264 Vac	0675152
Cigarette Lighter Charger LCH-9	0675120
Desktop Stand DCH-9	0675174
Mobile Holder MBC-1	0700060
Mobile Holder MCC-1	0620043
Handsfree Unit HFU-2	0694049
Power Cable PCH-4J	0730055
HF Microphone HFM-8	0690016
HF Speaker HFS-12	0692008
Mounting Plate MKU-1	0620036
Swivel Mount HHS-9	0620037
Headset HDC-9	0694053
Loopset LPS-1	0201179
Belt Clip BCH-16	0720145
External Antenna Cable XRC-1	0730103
Data Adapter Cable DAC-2	0730106

Technical Specifications

General Specifications of Transceiver NSM-1

Parameter	Unit
Cellular system	GSM and DCS1800
RX frequency band	935.2 ... 959.8 MHz GSM 1805.2 ... 1879.8 MHz DCS1800
TX frequency band	890.2 ... 914.8 MHz GSM 1710.2 ... 1784.8 MHz DCS1800
Output power	+5 ...+33 dBm / 3.2 mW ... 2 W GSM +0 ... +30 dBm/ 1 mW ... 1 W DCS1800
Duplex spacing	45 MHz GSM 95 MHz DCS1800
Number of RF channels	124 GSM 374 DCS1800
Channel spacing	200 kHz
Number of TX power levels	15
Sensitivity, static channel	-102 dBm/ BER < 2.439 % GSM -100 dBm/ BER < 2.439 % DCS1800
Frequency error, static channel	< 0.1 ppm
RMS phase error	< 5.0 °
Peak phase error	< 20.0 °